

AIR-O-CRIMP™

THE **ALTERNATIVE** TO HEAVY DUTY CRIMPING

2018 AN Series Catalog



TABLE OF CONTENTS

General Information	Page	2
Clamp Assemblies	Page	3
Hose	Page	4
Tools	Page	5
1-Piece Fittings	Page	6
Assembly Instructions	Page	17

To view the full line of ATCO Products visit:
www.atcoproductsinc.com

AIR-O-CRIMP™

THE ALTERNATIVE TO HEAVY DUTY CRIMPING

COMPONENTS:

HOSE: ATCO 3800 Barrier Hose - Five sizes available: -6, -8, -10, -12, -16

FITTINGS: ATCO "AN" 1 - Piece Fittings

CLAMP ASSEMBLIES: Color coded - Five sizes available:

3806-A, 3808-A, 3810-A, 3812-A, 3816-A

MANUAL CRIMP PLIERS: Model 3801 (flat), Model 3802 (90°),
Model 3803 (Ratchet)

CUTTER: Model 3541 Kwikcut Hose Cutter



The **AIR-O-CRIMP™** fitting system has been developed for applications in which hose end fittings must be attached at **Point of Use** in difficult applications such as Buses, Ambulances, RV's, and Limos. There is no need for a conventional crimping tool, messy glue or additional locating devices in order to achieve a reliable connection of the fitting and hose. The **AIR-O-CRIMP™** system has passed SAE J2064 R134a Refrigerant Automotive Air Conditioning Hose Specification testing using ATCO 3800 **AIR-O-CRIMP™** series hose.


NOTE:

THE AIR-O-CRIMP™ SYSTEM IS DESIGNED TO WORK EXCLUSIVELY WITH ATCO 3800 SERIES HOSE. NO OTHER BRAND OF HOSE IS WARRANTED.


ILLUSTRATION	PART NUMBER	DESCRIPTION	COMMENTS
	<p>3806-A (RED)</p>	<p># 6 Clamp Assembly</p>	<p>Packaged 100 bulk only</p>
	<p>3808-A (BLACK)</p>	<p>#8 Clamp Assembly</p>	<p>Packaged 100 bulk only</p>
	<p>3810-A (YELLOW)</p>	<p># 10 Clamp Assembly</p>	<p>Packaged 100 bulk only</p>
	<p>3812-A (GREEN)</p>	<p># 12 Clamp Assembly</p>	<p>Packaged 100 bulk only</p>
	<p>3816-A (NATURAL)</p>	<p># 16 Clamp Assembly</p>	<p>Packaged 100 bulk only</p>

Hose specification meets or exceeds SAE J2064, TYPE C, CLASS 1


5/16" ID BARRIER HOSE

ILLUSTRATION	PART NUMBER	DESCRIPTION	PRICED BY THE
	5-3800-6	AIR-O-CRIMP™ # 6 Hose - 825 ft	FOOT
	5-3821	AIR-O-CRIMP™ # 6 Hose - 50 ft	ROLL


13/32" ID BARRIER HOSE

ILLUSTRATION	PART NUMBER	DESCRIPTION	PRICED BY THE
	5-3800-8	AIR-O-CRIMP™ # 8 Hose - 725 ft	FOOT
	5-3822	AIR-O-CRIMP™ # 8 Hose - 50 ft	ROLL

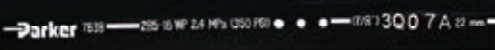
1/2" ID BARRIER HOSE

ILLUSTRATION	PART NUMBER	DESCRIPTION	PRICED BY THE
	5-3800-10	AIR-O-CRIMP™ #10 Hose - 600 ft	FOOT
	5-3823	AIR-O-CRIMP™ #10 Hose - 50 ft	ROLL

5/8" ID BARRIER HOSE

ILLUSTRATION	PART NUMBER	DESCRIPTION	PRICED BY THE
	5-3800-12	AIR-O-CRIMP™ #12 Hose - 425 ft	FOOT
	5-3824	AIR-O-CRIMP™ #12 Hose - 50 ft	ROLL

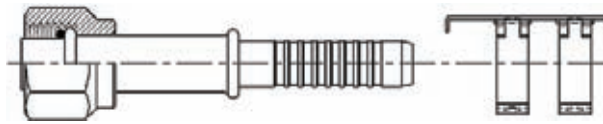
7/8" ID BARRIER HOSE

ILLUSTRATION	PART NUMBER	DESCRIPTION	PRICED BY THE
	5-3825	Standard Barrier #16 Hose - 100 ft	ROLL
	5-3826	Standard Barrier #16 Hose - 50 ft	ROLL

NOTE: # 16 (7/8" I.D.) hose is available direct from Parker.

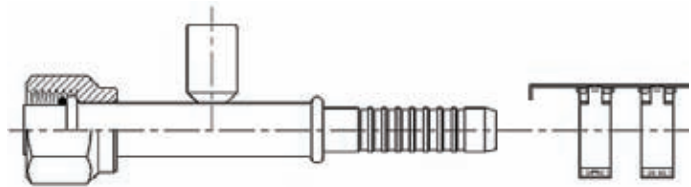
ILLUSTRATION	PART NUMBER	DESCRIPTION	COMMENTS
	<p>3801</p>	<p>Flat Crimp Pliers</p>	
	<p>3802</p>	<p>90° Crimp Pliers</p>	
	<p>3803</p>	<p>Ratchet Crimp Pliers</p>	<p>Will not release until clamp is properly closed.</p>
	<p>3541 3541-B</p>	<p>Hand Held Hose Cutter Replacement Blade</p>	

**STRAIGHT
FEMALE O-RING (FOR)**



FITTING WITH CLAMP ASSEMBLY (IND PKG)	FITTING ONLY (IND PKG)	CLAMP ASSEMBLY (BULK)	THREAD	F	H	PORT	COMMENT
AN1301C	AN1301	3806-A	5/8-18	6	6	NA	
AN1302C	AN1302	3808-A	3/4-16	8	8	NA	
AN1303C	AN1303	3810-A	7/8-14	10	10	NA	
AN13036C	AN13036	3816-A	7/8-14	10	16	NA	
AN1304C	AN1304	3812-A	1 1/16-14	12	12	NA	
AN13046C	AN130 46	3816-A	1 1/16-14	12	16	NA	
AN1305C	AN1305	3808-A	5/8-18	6	8	NA	
AN1306C	AN1306	3810-A	3/4-16	8	10	NA	
AN1307C	AN1307	3812-A	7/8-14	10	12	NA	
AN1308C	AN1308	3806-A	3/4-16	8	6	NA	
AN1309C	AN1309	3808-A	7/8-14	10	8	NA	

**STRAIGHT
FEMALE O-RING (FOR) WITH
SWITCH OR SERVICE PORT**



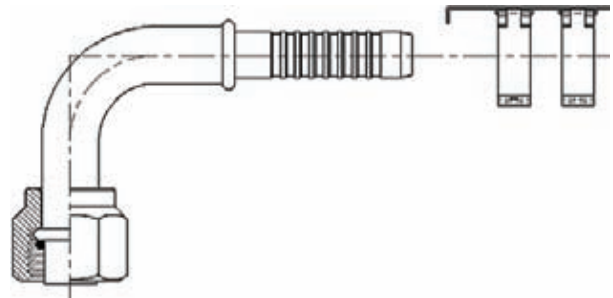
FITTING WITH CLAMP ASSEMBLY (IND PKG)	FITTING ONLY (IND PKG)	CLAMP ASSEMBLY (BULK)	THREAD	F	H	PORT	COMMENT
AN1302-1C	AN1302-1	3808-A	3/4-16	8	8	1/4 SWP	
AN1302-3C	AN1302-3	3808-A	3/4-16	8	8	16mm R134	
AN1303-3C	AN1303-3	3810-A	7/8-14	10	10	13mm R134	
AN13036-3C	AN13036-3	3816-A	7/8-14	10	16	13mm R134	
AN1304-1C	AN1304-1	3812-A	1 1/16-14	12	12	1/4 SWP	
AN1304-3C	AN1304-3	3812-A	1 1/16-14	12	12	13mm R134	
AN13046-5C	AN13046-5	3816-A	1 1/16-14	12	16	13mm R134	
AN1304-5C	AN1304-5	3812-A	1 1/16-14	12	12	M12 SWP	
AN1306-3C	AN1306-3	3810-A	3/4-16	8	10	16mm R134	
AN1307-3C	AN1307-3	3812-A	7/8-14	10	12	13mm R134	
AN1307-5C	AN1307-5	3812-A	7/8-14	10	12	M12 SWP	

**45 DEGREE
FEMALE O-RING (FOR)**



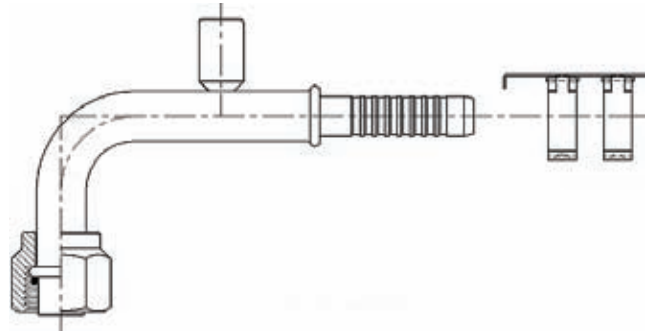
FITTING WITH CLAMP ASSEMBLY (IND PKG)	FITTING ONLY (IND PKG)	CLAMP ASSEMBLY (BULK)	THREAD	F	H	PORT	COMMENT
AN1311C	AN1311	3806-A	5/8-18	6	6	NA	
AN1312C	AN1312	3808-A	3/4-16	8	8	NA	
AN1313C	AN1313	3810-A	7/8-14	10	10	NA	
AN1314C	AN1314	3812-A	1 1/16-14	12	12	NA	
AN13146C	AN13146	3816-A	1 1/16-14	12	16	NA	
AN1316C	AN1316	3810-A	3/4-16	8	10	NA	
AN1317C	AN1317	3812-A	7/8-14	10	12	NA	

**90 DEGREE
FEMALE O-RING (FOR)**



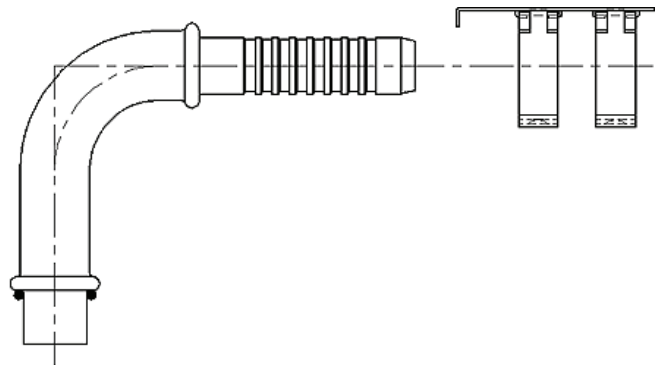
FITTING WITH CLAMP ASSEMBLY (IND PKG)	FITTING ONLY (IND PKG)	CLAMP ASSEMBLY (BULK)	THREAD	F	H	PORT	COMMENT
AN1321C	AN1321	3806-A	5/8-18	6	6	NA	
AN1322C	AN1322	3808-A	3/4-16	8	8	NA	
AN1323C	AN1323	3810-A	7/8-14	10	10	NA	
AN13236C	AN13236	3816-A	7/8-14	10	16	NA	
AN1324C	AN1324	3812-A	1 1/16-14	12	12	NA	
AN13246C	AN13246	3816-A	1 1/16-14	12	16	NA	
AN1325C	AN1325	3808-A	5/8-18	6	8	NA	
AN1326C	AN1326	3810-A	3/4-16	8	10	NA	
AN1327C	AN1327	3812-A	7/8-14	10	12	NA	
AN1328C	AN1328	3806-A	3/4-16	8	6	NA	
AN1329C	AN1329	3808-A	7/8-14	10	8	NA	

**90 DEGREE
FEMALE O-RING (FOR) WITH
SWITCH OR SERVICE PORT**



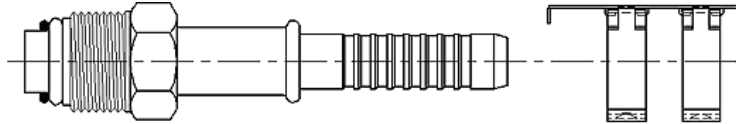
FITTING WITH CLAMP ASSEMBLY (IND PKG)	FITTING ONLY (IND PKG)	CLAMP ASSEMBLY (BULK)	THREAD	F	H	PORT	COMMENT
AN1322-1C	AN1322-1	3808-A	3/4-16	8	8	1/4 SWP	
AN1322-3C	AN1322-3	3808-A	3/4-16	8	8	16mm R134	
AN1323-3C	AN1323-3	3810-A	7/8-14	10	10	13mm R134	
AN1323-5C	AN1323-5	3810-A	7/8-14	10	10	M12 SWP	
AN1323-9C	AN1323-9	3810-A	7/8-14	10	10	16mm R134	
AN1324-1C	AN1324-1	3812-A	1 1/16-14	12	12	1/4 SWP	
AN1324-5C	AN1324-5	3812-A	1 1/16-14	12	12	M12 SWP	
AN1326-1C	AN1326-1	3810-A	3/4-16	8	10	1/4 SWP	
AN1326-3C	AN1326-3	3810-A	3/4-16	8	10	16mm R134	
AN1327-3C	AN1327-3	3812-A	7/8-14	10	12	13mm R134	
AN1327-5C	AN1327-5	3812-A	7/8-14	10	12	M12 SWP	
AN1328-3C	AN1328-3	3806-A	3/4-16	8	6	16mm R134	

**90 DEGREE
LONG PILOT O-RING
WITH NO NUT**



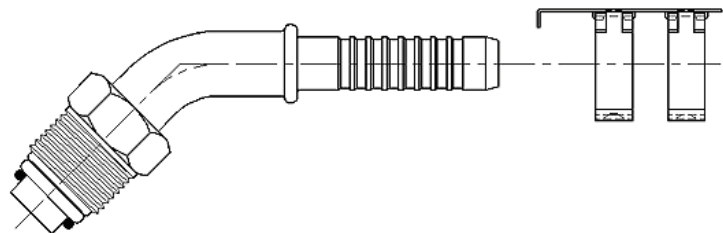
FITTING WITH CLAMP ASSEMBLY (IND PKG)	FITTING ONLY (IND PKG)	CLAMP ASSEMBLY (BULK)	THREAD	F	H	PORT	COMMENT
AN1321-NNC	AN1321-NN	3806-A	NA	6	6	NA	

**STRAIGHT
MALE O-RING (MOR)**

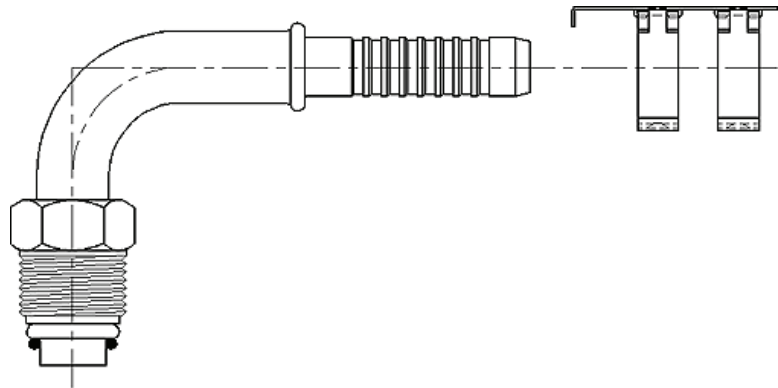


FITTING WITH CLAMP ASSEMBLY (IND PKG)	FITTING ONLY (IND PKG)	CLAMP ASSEMBLY (BULK)	THREAD	F	H	PORT	COMMENT
AN1401C	AN1401	3806-A	5/8-18	6	6	NA	
AN1402C	AN1402	3808-A	3/4-18	8	8	NA	
AN1403C	AN1403	3810-A	7/8-18	10	10	NA	
AN14036C	AN14036	3816-A	7/8-18	10	16	NA	
AN1404C	AN1404	3812-A	1 1/16-16	12	12	NA	
AN14046C	AN14046	3816-A	1 1/16-16	12	16	NA	
AN1405C	AN1405	3808-A	5/8-18	6	8	NA	
AN1407C	AN1407	3812-A	7/8-18	10	12	NA	

**45 DEGREE
MALE O-RING (MOR)**

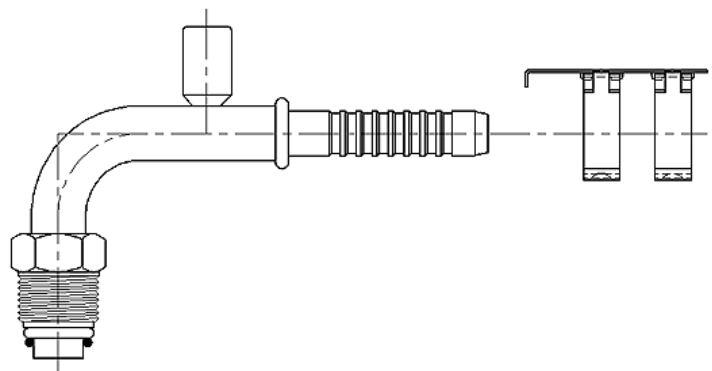


FITTING WITH CLAMP ASSEMBLY (IND PKG)	FITTING ONLY (IND PKG)	CLAMP ASSEMBLY (BULK)	THREAD	F	H	PORT	COMMENT
AN1411C	AN1411	3806-A	5/8-18	6	6	NA	
AN1417C	AN1417	3812-A	7/8-18	10	12	NA	



**90 DEGREE
MALE O-RING (MOR)**

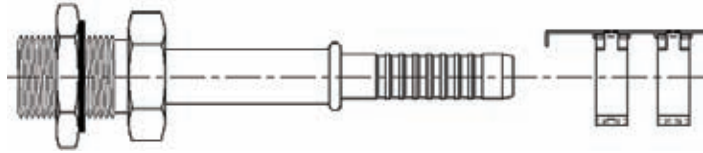
FITTING WITH CLAMP ASSEMBLY (IND PKG)	FITTING ONLY (IND PKG)	CLAMP ASSEMBLY (BULK)	THREAD	F	H	PORT	COMMENT
AN1421C	AN1421	3806-A	5/8-18	6	6	NA	
AN1422C	AN1422	3808-A	3/4-18	8	8	NA	
AN1423C	AN1423	3810-A	7/8-18	10	10	NA	
AN1424C	AN1424	3812-A	1 1/16-16	12	12	NA	
AN1425C	AN1425	3808-A	5/8-18	6	8	NA	
AN1426C	AN1426	3810-A	3/4-18	8	10	NA	
AN1427C	AN1427	3812-A	7/8-18	10	12	NA	



**90 DEGREE
MALE O-RING (MOR) WITH
SWITCH OR SERVICE PORT**

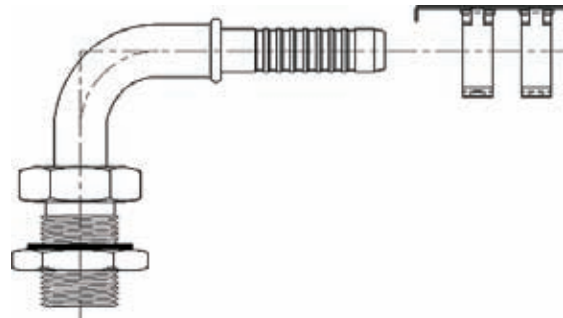
FITTING WITH CLAMP ASSEMBLY (IND PKG)	FITTING ONLY (IND PKG)	CLAMP ASSEMBLY (BULK)	THREAD	F	H	PORT	COMMENT
AN1422-3C	AN1422-3	3808-A	3/4-18	8	8	16mm R134	
AN14246-3C	AN14246-3	3816-A	1 1/16-16	12	16	13mm R134	

**STRAIGHT
BULKHEAD
MALE INSERT O-RING (MIO)**



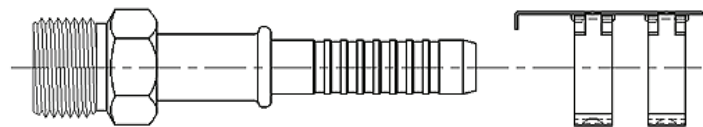
FITTING WITH CLAMP ASSEMBLY (IND PKG)	FITTING ONLY (IND PKG)	CLAMP ASSEMBLY (BULK)	THREAD	F	H	PORT	COMMENT
AN1701C	AN1701	3806-A	5/8-18	6	6	NA	
AN1702C	AN1702	3808-A	3/4-16	8	8	NA	
AN1703C	AN1703	3810-A	7/8-14	10	10	NA	
AN17046C	AN17046	3816-A	1 1/16-14	12	16	NA	
AN1707C	AN1707	3812-A	7/8-14	10	12	NA	

**90 DEGREE
BULKHEAD
MALE INSERT O-RING (MIO)**

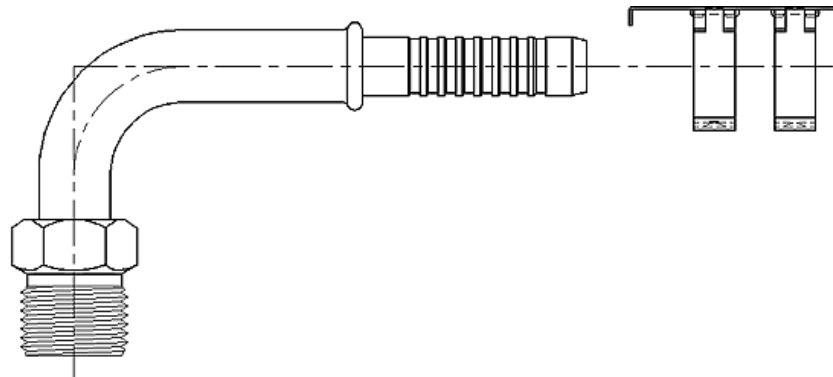


FITTING WITH CLAMP ASSEMBLY (IND PKG)	FITTING ONLY (IND PKG)	CLAMP ASSEMBLY (BULK)	THREAD	F	H	PORT	COMMENT
AN1721C	AN1721	3806-A	5/8-18	6	6	NA	
AN1722C	AN1722	3808-A	3/4-16	8	8	NA	
AN1723C	AN1723	3810-A	7/8-14	10	10	NA	
AN1727C	AN1727	3812-A	7/8-14	10	12	NA	

**STRAIGHT
MALE INSERT O-RING (MIO)**

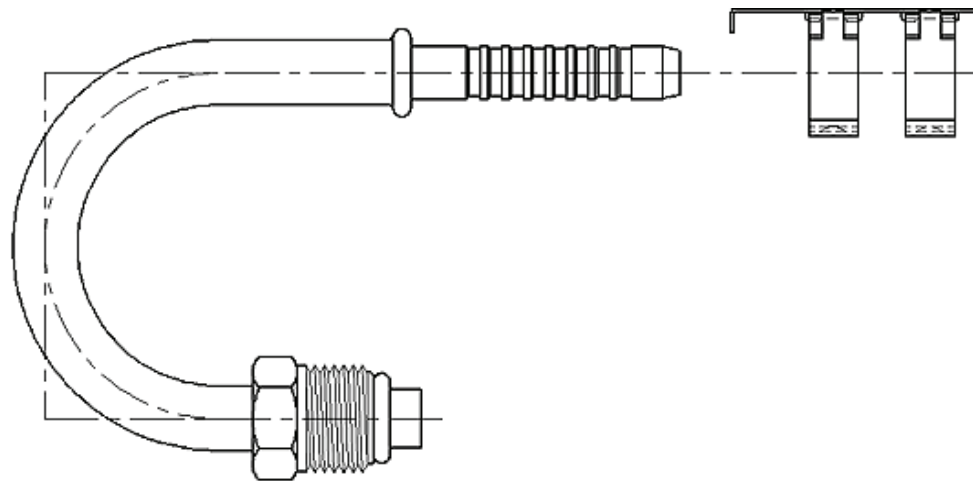


FITTING WITH CLAMP ASSEMBLY (IND PKG)	FITTING ONLY (IND PKG)	CLAMP ASSEMBLY (BULK)	THREAD	F	H	PORT	COMMENT
AN1801C	AN1801	3806-A	5/8-18	6	6	NA	
AN1802C	AN1802	3808-A	3/4-16	8	8	NA	
AN1805C	AN1805	3808-A	5/8-18	6	8	NA	
AN1807C	AN1807	3812-A	7/8-14	10	12	NA	



**90 DEGREE
MALE INSERT O-RING
(MIO)**

FITTING WITH CLAMP ASSEMBLY (IND PKG)	FITTING ONLY (IND PKG)	CLAMP ASSEMBLY (BULK)	THREAD	F	H	PORT	COMMENT
AN1821C	AN1821	3806-A	5/8-18	6	6	NA	
AN1822C	AN1822	3808-A	3/4-16	8	8	NA	
AN1823C	AN1823	3810-A	7/8-14	10	10	NA	
AN1825C	AN1825	3808-A	5/8-18	6	8	NA	
AN1826C	AN1826	3810-A	3/4-16	8	10	NA	
AN1827C	AN1827	3812-A	7/8-14	10	12	NA	



**180 DEGREE
MALE O-RING
(MOR)**

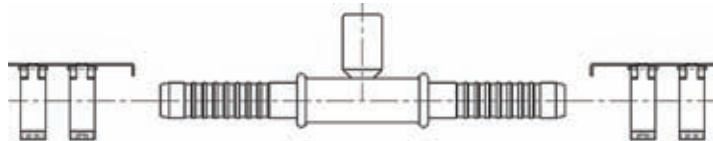
FITTING WITH CLAMP ASSEMBLY (IND PKG)	FITTING ONLY (IND PKG)	CLAMP ASSEMBLY (BULK)	THREAD	F	H	PORT	COMMENT
AN1936C	AN1936	3806-A	5/8-18	6	6	NA	
AN1938C	AN1938	3810-A	7/8-18	10	10	NA	

**STRAIGHT
SPLICER**



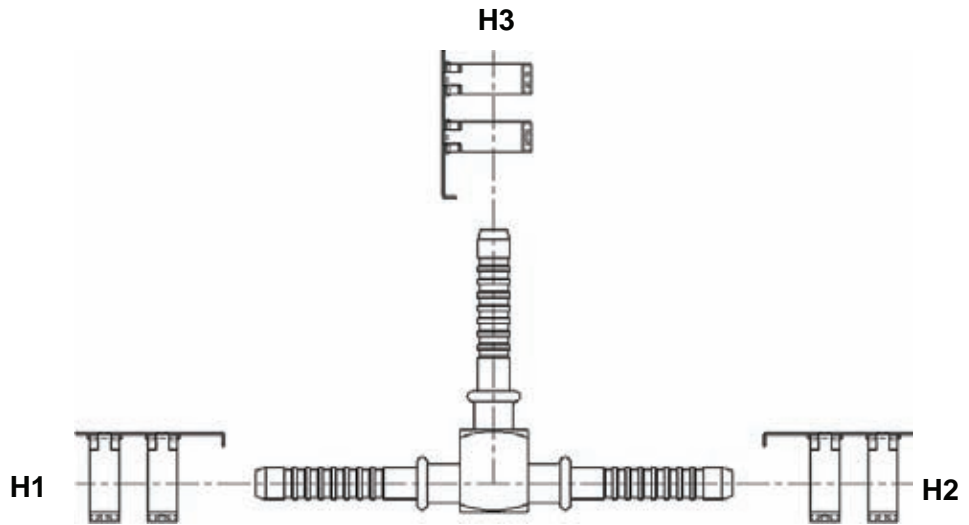
FITTING WITH CLAMP ASSEMBLY (IND PKG)	FITTING ONLY (IND PKG)	CLAMP ASSEMBLY (BULK)	F	H	PORT	COMMENT
AN6101C	AN6101	3806-A	6	6	NA	
AN6102C	AN6102	3808-A	8	8	NA	
AN6103C	AN6103	3810-A	10	10	NA	
AN6104C	AN6104	3812-A	12	12	NA	
AN61066C	AN61066	3816-A	16	16	NA	

**STRAIGHT
SPLICER WITH
SWITCH OR SERVICE PORT**



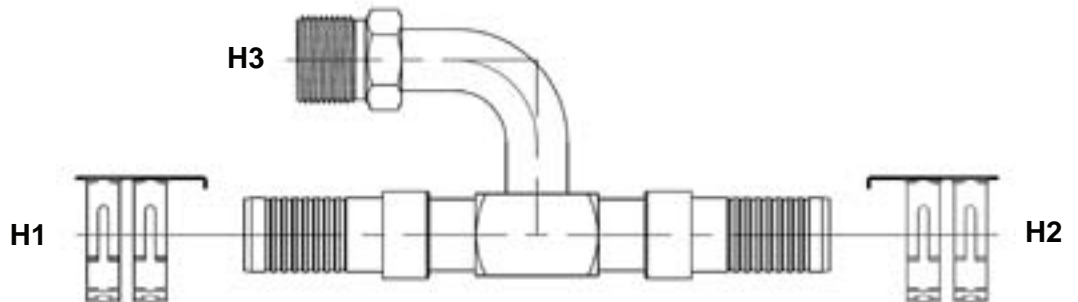
FITTING WITH CLAMP ASSEMBLY (IND PKG)	FITTING ONLY (IND PKG)	CLAMP ASSEMBLY (BULK)	F	H	PORT	COMMENT
AN6101-1C	AN6101-1	3806-A	6	6	1/4 SWP	
AN6101-3C	AN6101-3	3806-A	6	6	16mm R134	
AN6102-1C	AN6102-1	3808-A	8	8	1/4 SWP	
AN6102-3C	AN6102-3	3808-A	8	8	16mm R134	
AN6102-4C	AN6102-4	3808-A	8	8	M10 SWP	
AN6103-1C	AN6103-1	3810-A	10	10	1/4 SWP	
AN6103-3C	AN6103-3	3810-A	10	10	13mm R134	
AN6103-4C	AN6103-4	3810-A	10	10	M10 SWP	
AN6103-9C	AN6103-9	3810-A	10	10	16mm R134	
AN6104-1C	AN610 4-1	3812-A	12	12	1/4 SWP	
AN6104-3C	AN6104-3	3812-A	12	12	13mm R134	
AN6104-5C	AN6104-5	3812-A	12	12	M12 SWP	
AN61066-3C	AN61066-3	3816-A	16	16	13mm R134	

**T SPLICER
3 WAY**



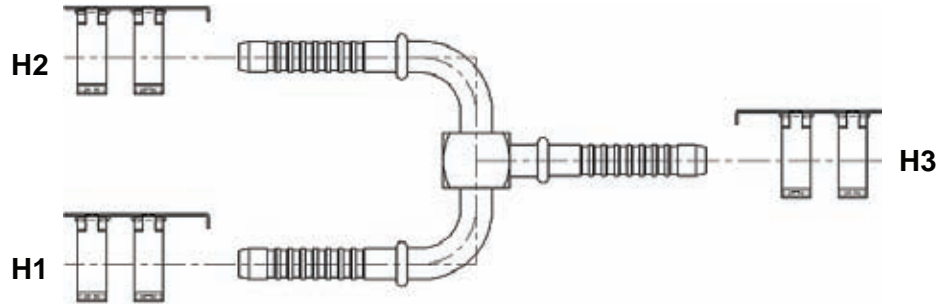
FITTING WITH CLAMP ASSEMBLY (IND PKG)	FITTING ONLY (IND PKG)	CLAMP ASSEMBLY (BULK)	H1	H2	H3	PORT	COMMENT
AN6201C	AN6201	3806-A	6	6	6	NA	
AN6202C	AN6202	3808-A	8	8	8	NA	
AN6203C	AN6203	3810-A	10	10	10	NA	
AN6204C	AN6204	3812-A	12	12	12	NA	
AN62066C	AN62066	3816-A	16	16	16	NA	

**SPLICER
TO MIO**



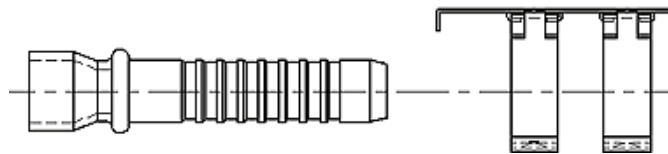
FITTING WITH CLAMP ASSEMBLY (IND PKG)	FITTING ONLY (IND PKG)	CLAMP ASSEMBLY (BULK)	H1	H2	H3	PORT	COMMENT
AN62246C	AN62246	3816-A	16	16	12 MIO	NA	

**Y SPLICER
3 WAY**



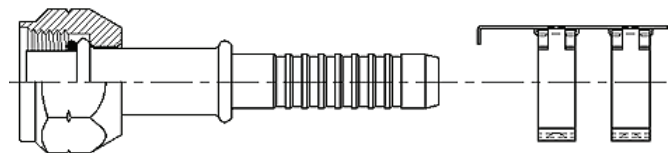
FITTING WITH CLAMP ASSEMBLY (IND PKG)	FITTING ONLY (IND PKG)	CLAMP ASSEMBLY (BULK)	H1	H2	H3	PORT	COMMENT
AN6332C	AN6332	3808-A	8	8	8	NA	
AN6333C	AN6333 3	3810-A	10	10	10	NA	
AN6334C	AN6334	3812-A	12	12	12	NA	

**STRAIGHT
WELD ON HOSE END**

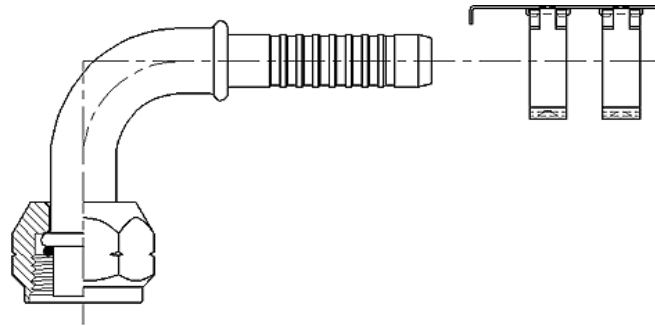


FITTING WITH CLAMP ASSEMBLY (IND PKG)	FITTING ONLY (IND PKG)	CLAMP ASSEMBLY (BULK)	TUBE	H	PORT	COMMENT
AN6601C	AN6601	3806-A	3/8	6	NA	
AN6602C	AN6602	3808-A	1/2	8	NA	
AN6603C	AN6603	3810-A	5/8	10	NA	
AN66036C	AN66036	3816-A	5/8	16	NA	BRAZED
AN6604C	AN6604	3812-A	3/4	12	NA	
AN66046C	AN66046	3816-A	3/4	16	NA	BRAZED
AN6605C	AN6605	3812-A	5/8	12	NA	

**STRAIGHT
METRIC FEMALE O-RING (FOR)**

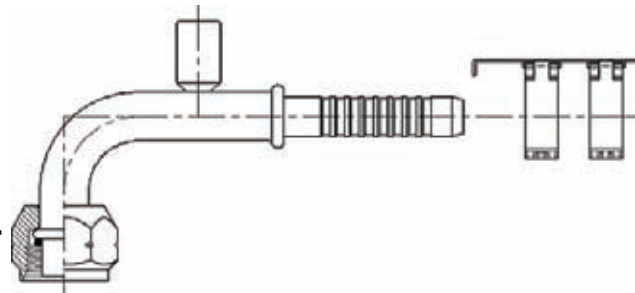


FITTING WITH CLAMP ASSEMBLY (IND PKG)	FITTING ONLY (IND PKG)	CLAMP ASSEMBLY (BULK)	THREAD	F	H	PORT	COMMENT
AN9305C	AN9305	3808-A	M20 X 1.5	M20	8	NA	
AN9310C	AN9310	3810-A	M27 X 2.0	M27	10	NA	



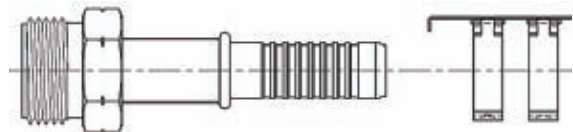
**90 DEGREE
METRIC FEMALE O-RING (FOR)**

FITTING WITH CLAMP ASSEMBLY (IND PKG)	FITTING ONLY (IND PKG)	CLAMP ASSEMBLY (BULK)	THREAD	F	H	PORT	COMMENT
AN9323C	AN9323	3806-A	M18 X 1.5	M18	6	NA	
AN9325C	AN9325	3808-A	M20 X 1.5	M20	8	NA	
AN9328C	AN9328	3812-A	M27 X 2.0	M27	12	NA	



**90 DEGREE
METRIC FEMALE O-RING (FOR)
WITH SWITCH OR SERVICE PORT**

FITTING WITH CLAMP ASSEMBLY (IND PKG)	FITTING ONLY (IND PKG)	CLAMP ASSEMBLY (BULK)	THREAD	F	H	PORT	COMMENT
AN9324-3C	AN9324-3	3806-A	M20 X 1.5	M20	6	16mm R134	
AN9327-3C	AN9327-3	3810-A	M24 X 2.0	M24	10	13mm R134	



**STRAIGHT
METRIC MALE INSERT O-RING (MIO)**

FITTING WITH CLAMP ASSEMBLY (IND PKG)	FITTING ONLY (IND PKG)	CLAMP ASSEMBLY (BULK)	THREAD	F	H	PORT	COMMENT
AN9409C	AN9409	3810-A	M20 X 2.0	M20	10	NA	

ASSEMBLY INSTRUCTIONS



1. Cut or trim the hose to the desired length using the **ATCO Kwikcut Hose Cutter**. The cut should be made square to the hose length.



2. Assemble the clamp assembly all the way onto the hose with the locator tab touching the hose.



3. Assemble the fitting into the hose until the hose touches the bead and locator tab on the fitting.



4. Use the manual crimp pliers to crimp each clamp separately.



A slight gap will be present from the "spring back"



Caution: Make sure that there is a metal to metal contact of the clamp ear when the crimp is made. There will be a slight amount of spring-back of the clamp ear when the crimp pliers are released. **Failure to fully close the clamp may result in refrigerant leaks.**